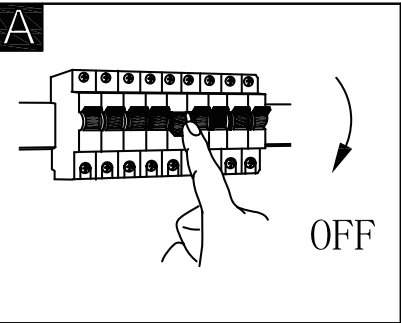


# GLOBO

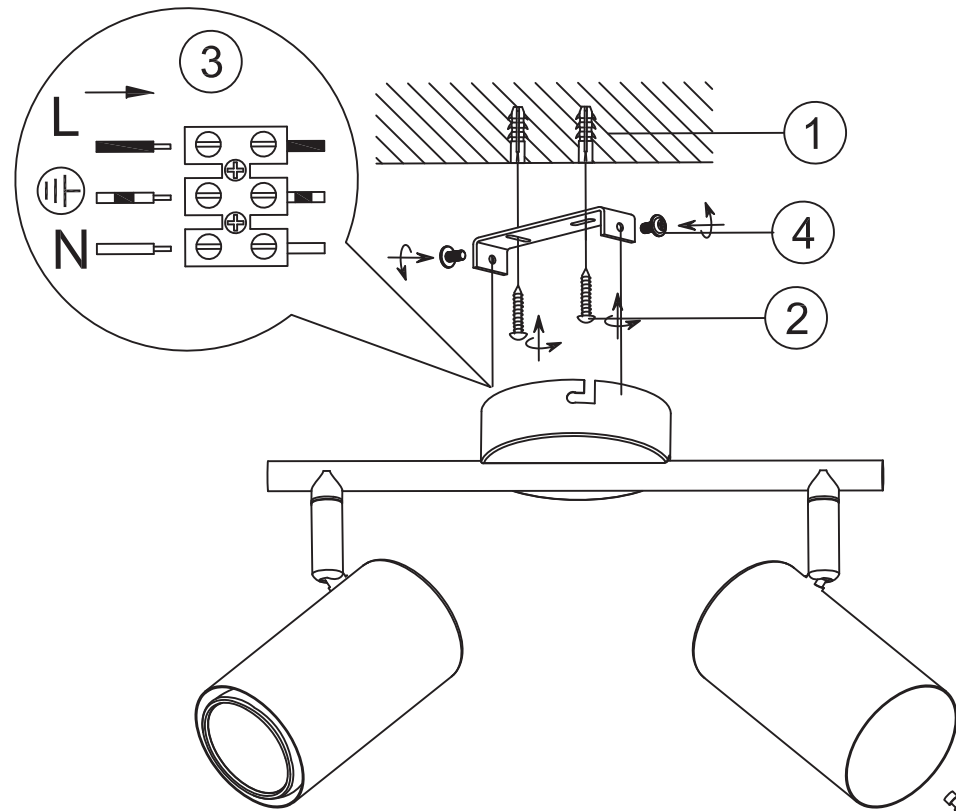
LIGHTING

www.globo-lighting.com

57914-2 57914-2N



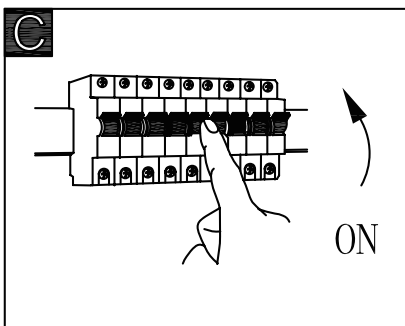
**B**



2x MAX 25W GU10  
230V~ 50Hz

excl.

incl.



GLOBO Handels GmbH  
Gewerbestr. 3  
A-9184 Sankt Peter  
AUSTRIA  
www.globo-lighting.com